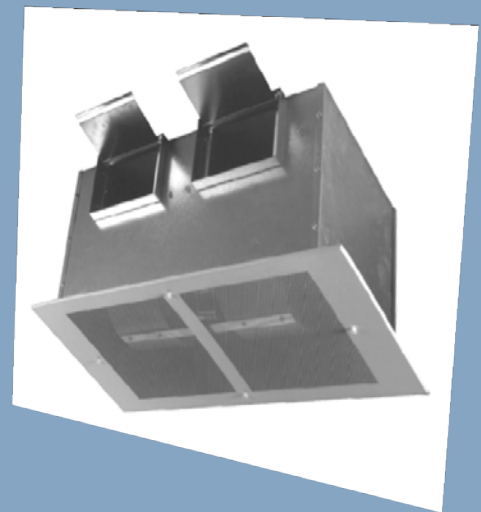
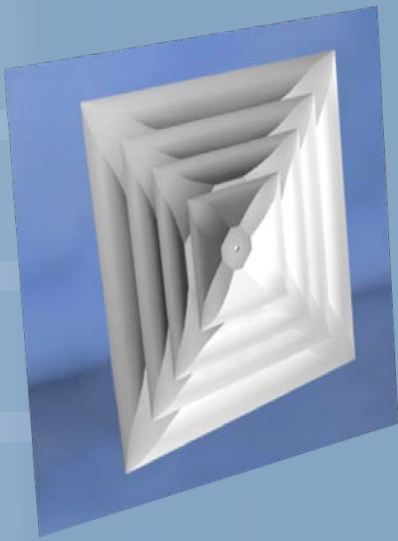


# HVAC Products Stock Catalog



New York  
212 643 8001

[www.MThvac.com](http://www.MThvac.com)

New Jersey  
973 616 3800

# Manufacturers that we stock...



Variable Speed Drives



Fans and Blowers



Critical Environments



Humidifiers



Gas Detection



Electric Heat



Air Distribution And Terminals



Roof Curbs and Rails

## Also available...



Modular Chillers



Fume Ventilation



Replacement Coils



Air Blenders



Dampers



Airflow measuring



FRP Fans



Custom Air Handling



Axial Fans



Fabric Air Diffusers



Pool Dehumidifiers



Louvers and Dampers

### Mechanical Technologies New Jersey

230 West Parkway

Unit 11

Pompton Plains, NJ 07444

(973) 616 3800

(973) 616 3888 Fax

### Mechanical Technologies New York

259 West 30<sup>th</sup> Street

Suite 801

New York, NY 10001

(212) 643 8001

(212) 643 8005 Fax



New York  
212 643 8001

[www.MThvac.com](http://www.MThvac.com)  
[sales@MThvac.com](mailto:sales@MThvac.com)

New Jersey  
973 616 3800

# Terms and Conditions

**Ordering Information** – We appreciate your business and want to provide exactly those products which you require. Please consult any of our inside sales staff while selecting your products. Please fax or email your order as follows:

New Jersey Sales	973 616 3888
New York Sales	212 643 8005
Email	<a href="mailto:sales@MThvac.com">sales@MThvac.com</a>

An order form is available on our website [www.MThvac.com](http://www.MThvac.com) or request one from [sales@MThvac.com](mailto:sales@MThvac.com).

**Delivery** - Please indicate how you would like the product delivered to you. There are several options for delivery.

**Pick up** – Our Pompton Plains, NJ warehouse is open Monday through Friday, 8AM to 4PM for pick up. If you require an earlier or later pick up, please feel free to make arrangements with any one of our inside sales staff.

**Third Party** – We can ship your order UPS and add the charge to your order. Please specify the method of delivery for the UPS shipment

**Delivery** – Our regular delivery routes and charges are detailed below. Our driver is instructed to assist in the unloading of your order onto a tailgate or loading dock. We are not able to provide jobsite delivery in some cases.

Zone	Day of week	Charge
XX	XX	XX
XX	XX	XX
XX	XX	XX
XX	XX	XX
XX	XX	XX

We will attempt to meet your requirements with a dedicated delivery, please feel free to coordinate this request with any one of our inside sales staff.



New York  
212 643 8001

[www.MThvac.com](http://www.MThvac.com)  
[sales@MThvac.com](mailto:sales@MThvac.com)

New Jersey  
973 616 3800 1

# Terms and Conditions

**Pricing** – Sales tax will be charged on all orders. All orders are net 30 days on approved credit. We accept credit card payment for any order.

**Freight Damage** – Please Instruct your customers to inspect shipments immediately and report and damage to the carrier within forty -eight (48) Hours.

**Returned Goods Policy** – Mechanical Technologies will accept returns or exchanges of undamaged products in original packaging within 30 Days of purchase with prior approval . Re-stocking fee's will apply.

**New Customers** – All new Customers will pay invoices in advance until a credit application is completed , checked and approved by Mechanical Technologies. Upon approval , new accounts will be placed on a limited open account. At Mechanical Technologies discretion, a higher open account limit may be established based upon payment performance and account management.

**Warranty** – Manufacturers standard Warranty Applies.



New York  
212 643 8001

[www.MThvac.com](http://www.MThvac.com)  
sales@MThvac.com

New Jersey  
973 616 3800 2

Page	ABB Drives
5	ACH-550 Basic Drive
6	Vertical E-Clipse Bypass
7	Starters and Disconnects
Page	Armstrong
8	Armstrong Humidiclean Parts
8	Armstrong EHU's Parts
8	Armstrong ACV Parts
Page	Loren Cook
9	CG Series Wall & Ceiling Fans
9	CN Series Inline Fans
10	FSC Speed Control
10	Time Delay Switch
10	Gemini Hanging Isolator Kit
10	Rubber In Shear Isolators
10	Spring Isolator - Ceiling Mounted
10	Brick Vent
11	Wall Cap
11	Roof Jack
11	Roof Cap
11	Wall Cap
Page	Price
12	520 D-S Surface Mount Supply Register
12	530 Series Surface Mount Return Grille
12	Price 535 Series Surface Mount Return Grille
13	SDV-5 Control Enclosure DDC VAV Terminal Unit
13	SCD Lay-in Square Cone Ceiling Diffuser
14	SPD Square Plaque Ceiling Diffusers
14	PDF Perforated Ceiling Diffusers
15	PDDR Perforated Ceiling return Diffusers
15	PFRF Perforated Non-Ducted Return
16	VCR-8E Butterfly Control Damper
16	SPF Plaster Frames
17	Cable Operated Damper

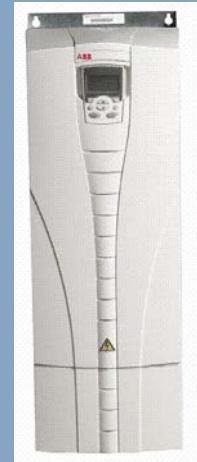
<b>Page</b>	<b>Roof Products &amp; Systems (RPS)</b>
18	RC-2A Curb
18	ER-2A Rails
18	Pipe Portal System
<b>Page</b>	<b>MSA</b>
19	Chillgards
19	Calibration Parts
19	Carbon Monoxide and Hydrogen Detection
<b>Page</b>	<b>TSI</b>
20	8630-PM Room Pressure Monitor
21	8650 Fume Hood Velocity Controller
22	Velocicalc Air Velocity Meters
23	Accubalance Air Capture Hood
<b>Page</b>	<b>INDEECO</b>
24	
25	



# ACH-550 Basic Drive

Standard drives for HVAC applications

- UL Type 1 Enclosure
- Plenum Rated Drive
- Optional AC Line Reactor, Serial Communications Module
- Dedicated, Drive-only Input Fuses
- Damper Control and Fireman's Override



## 208/230V Rating for Basic Drive

HP	Material Description	Amps	Height (inches)	Width (inches)	Depth (inches)	Weight (lbs)
1	ACH550-UH-04A6-2	4.6	14.5	4.9	8.3	14.3
1.5	ACH550-UH-06A6-2	6.6	14.5	4.9	8.3	14.3
2	ACH550-UH-07A5-2	7.5	14.5	4.9	8.3	14.3
3	ACH550-UH-012A-2	12	14.5	4.9	8.3	14.3
5	ACH550-UH-017A-2	17	14.5	4.9	8.3	14.3
7.5	ACH550-UH-024A-2	24	18.5	4.9	8.7	19.8
10	ACH550-UH-031A-2	31	18.5	4.9	8.7	19.8
15	ACH550-UH-046A-2	45	23.0	8.0	9.1	35
20	ACH550-UH-059A-2	59	23.0	8.0	9.1	35
25	ACH550-UH-075A-2	75	27.1	8.0	10.3	53
30	ACH550-UH-088A-2	88	27.1	8.0	10.3	53
40	ACH550-UH-114A-2	114	27.1	8.0	10.3	53
50	ACH550-UH-143A-2	143	34.6	11.8	15.8	152

## 480V Rating for Basic Drive

HP	Material Description	Amps	Height (inches)	Width (inches)	Depth (inches)	Weight (lbs)
1	ACH550-UH-03A3-4	3.3	14.5	4.9	8.3	14.3
1.5	ACH550-UH-03A3-4	3.3	14.5	4.9	8.3	14.3
2	ACH550-UH-04A1-4	4.1	14.5	4.9	8.3	14.3
3	ACH550-UH-06A9-4	6.9	14.5	4.9	8.3	14.3
5	ACH550-UH-08A8-4	8.8	14.5	4.9	8.3	14.3
7.5	ACH550-UH-012A-4	12	14.5	4.9	8.3	14.3
10	ACH550-UH-015A-4	15	18.5	4.9	8.7	19.8
15	ACH550-UH-023A-4	23	18.5	4.9	8.7	19.8
20	ACH550-UH-031A-4	31	23.0	8.0	9.1	35
25	ACH550-UH-038A-4	38	23.0	8.0	9.1	35
30	ACH550-UH-045A-4	44	23.0	8.0	9.1	35
40	ACH550-UH-059A-4	59	27.1	8.0	10.3	53
50	ACH550-UH-072A-4	72	27.1	8.0	10.3	53



# Vertical E-Clipse Bypass

Variable Frequency drives for HVAC applications

- UL Type 1 Enclosure
- Plenum Rated Drive
- Main Circuit Breaker (Door Interlocked, Padlockable)
- Optional AC Line Reactor, Serial Communications Module
- Dedicated, Drive-only Input Fuses
- Damper Control and Fireman's Override



## 208/230V Rating for Drive

HP	Material Description	Amps	Height (inches)	Width (inches)	Depth (inches)	Weight (lbs)
1	ACH550-VCR-04A6-2	4.6	40.2	5.4	10.1	32
1.5	ACH550-VCR-06A6-2	6.6	40.2	5.4	10.1	32
2	ACH550-VCR-07A5-2	7.5	40.2	5.4	10.1	32
3	ACH550-VCR-012A-2	11.8	40.2	5.4	10.1	32
5	ACH550-VCR-017A-2	16.7	40.2	5.4	10.1	32
7.5	ACH550-VCR-024A-2	24.2	44.1	5.4	10.3	40
10	ACH550-VCR-031A-2	30.8	47.7	8.4	10.9	70
15	ACH550-VCR-046A-2	46.2	47.7	8.4	10.9	70
20	ACH550-VCR-059A-2	59.4	47.7	8.4	10.9	70
25	ACH550-VCR-075A-2	74.8	51.8	8.4	12.1	92

## 480V Rating for Drive

HP	Material Description	Amps	Height (inches)	Width (inches)	Depth (inches)	Weight (lbs)
1	ACH550-VCR-03A3-4	3.3	40.2	5.4	10.1	32
1.5	ACH550-VCR-03A3-4	3.3	40.2	5.4	10.1	32
2	ACH550-VCR-04A1-4	4.1	40.2	5.4	10.1	32
3	ACH550-VCR-06A9-4	6.9	40.2	5.4	10.1	32
5	ACH550-VCR-08A8-4	8.8	40.2	5.4	10.1	32
7.5	ACH550-VCR-012A-4	11.9	40.2	5.4	10.1	32
10	ACH550-VCR-015A-4	15.4	40.2	5.4	10.1	32
15	ACH550-VCR-023A-4	23	44.1	5.4	10.3	40
20	ACH550-VCR-031A-4	31	47.7	8.4	10.9	70
25	ACH550-VCR-038A-4	38	47.7	8.4	10.9	70
30	ACH550-VCR-045A-4	44	47.7	8.4	10.9	70
40	ACH550-VCR-059A-4	59	51.8	8.4	12.1	92
50	ACH550-VCR-072A-4	72	51.8	8.4	12.1	92





**Combination Starter Includes:**

- NEMA rated and labeled starter
- Fused Disconnect, includes fuses
- Hand-Off-Auto switch
- Fused 120V control transformer
- Electronic Class 10, 20, 30 Selectable Overload
- NEMA 1 enclosure
- Pilot light
- 3 Auxiliary Contacts
- Thru-the-door overload reset button

**208/230V Rating for Starters**

HP	Material Description	AMPS	CODE	NEMA SIZE	Class 10, 20, 30 Selectable Overload	Overload Amps Range
1/2HP	J1J1-AC11J8	2.4	H	00	E16DU2.7	0.9-2.7
3/4HP	J1J1-AD11J8	3.5	K	00	E16DU6.3	2.0-6.3
1HP	J1J1-AD11J8	4.6	L	00	E16DU6.3	2.0-6.3
1.5HP	J1J1-AE11J8	6.6	N	00	E16DU18.9	5.7-18.9
2HP	K1J1-AE11J8	7.5	N	0	E16DU18.9	5.7-18.9
3HP	K1J1-AE11J8	10.6	P	0	E16DU18.9	5.7-18.9
5HP	L1J1-AE12J8	16.7	R	1	E45DU30	9-30
7.5HP	L1J1-AE12J8	24.2	S	1	E45DU30	9-30
10HP	M1J1-AE12J8	30.8	B	2	E80DU80	27-80
15HP	N1J1-AE14J8	46.2	D	3	E80DU80	27-80
20HP	N1J1-AE14J8	59.4	E	3	E80DU80	27-80
25HP	N1J1-AE14J8	74.8	F	3	E80DU80	27-80
30HP	P1J1-AE34J8	88	A	4	E200DU200	60-200



**460V Rating for Starters**

HP	Material Description	AMPS	CODE	NEMA SIZE	Class 10, 20, 30 Selectable Overload	Overload Amps Range
1/2HP	J1J1-CC11J8	1.1	F	00	E16DU2.7	0.9-2.7
3/4HP	J1J1-CC11J8	1.6	G	00	E16DU2.7	0.9-2.7
1HP	J1J1-CC11J8	2.1	H	00	E16DU2.7	0.9-2.7
1.5HP	J1J1-CD11J8	3	J	00	E16DU6.3	2.0-6.3
2HP	J1J1-CD11J8	3.4	K	00	E16DU6.3	2.0-6.3
3HP	K1J1-CD11J8	4.8	L	0	E16DU6.3	2.0-6.3
5HP	K1J1-CE11J8	7.6	N	0	E16DU18.9	5.7-18.9
7.5HP	L1J1-CE11J8	11	P	1	E45DU30	9-30
10HP	L1J1-CE11J8	14	Q	1	E45DU30	9-30
15HP	M1J1-CE22J8	21	A	2	No choice	15-45
20HP	M1J1-CE22J8	27	B	2	No choice	15-45
25HP	M1J1-CE12J8	34	C	2	E80DU80	27-80
30HP	M1J1-CE12J8	40	C	2	E80DU80	27-80

## Humidiclean Parts

Part Description	Part Number
Drain Valve	B2004C
Ionic Bed	B5213
Fill Valve	A23520



## EHU Parts

Part Description	Part Number
Drain Valve	B2717
Float Switch for EHU-701, 703, 704	B2582A-1
Fill Valve for EHU-701	A23519
Fill Valve for EHU-703	B4480
Fill Valve for EHU-704	B4481
Steam Generator complete for EHU-701	D4415, 3Ph, 208, 240, 277
Steam Generator complete for EHU-701	D4416 3Ph, 480
Steam Generator complete for EHU-701	D4417 1Ph, 120, 208,240,277
Steam Generator complete for EHU-701	D4418, 1Ph, 480v
Steam Generator complete for EHU-703/ 704	D262 3PH 380

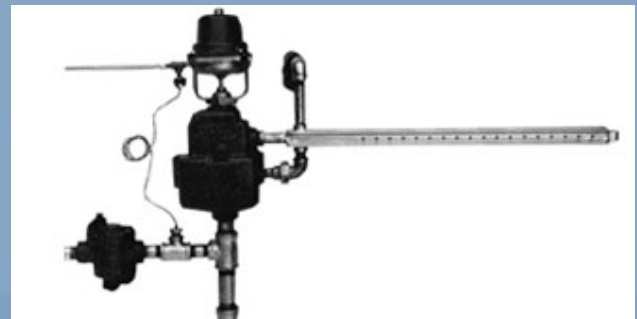


## ACV Parts

Part Description	Part Number
Seal Kit	A8991

## 9000 Series Parts

Part Description	Part Number
Seal Kit	A17905





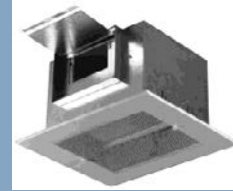
LOREN COOK COMPANY

# Loren Cook GC Series Wall & Ceiling Fans

- Direct driven
- Centrifugal exhaust
- Galvanized stamped steel integral motor mount/inlet
- Aluminum back draft damper



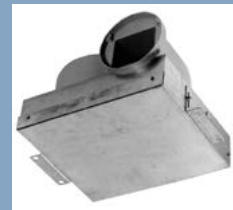
GC-122 - GC-184



GC-220 - GC-740



GC-822 - GC862



GN-122 - GN-184



GN-220 - GN-740



GN-822 - GN862

Model GC	Housing			Outlet		Grille		Shipping Weight
	L	W	H	A	B	A / J	B / K	
GC-120	14	12-3/4	8-3/8	5-15/16 Ø		13-1/4	14-3/4	13
GC-140	14	12-3/4	8-3/8	5-15/16 Ø		13-1/4	14-3/4	15
GC-160	14	12-3/4	8-3/8	5-15/16 Ø		13-1/4	14-3/4	15
GC-180	14	12-3/4	8-3/8	5-15/16 Ø		13-1/4	14-3/4	16
GC-220	12-3/8	9-3/4	9-3/4	8	6	16-3/8	13-5/8	22
GC-320	12-3/8	10-3/4	10-3/4	8	6	16-3/8	13-5/8	25
GC-420	17	11-7/8	11-7/8	8	6	21	14-1/4	30
GC-520	17	11-7/8	11-7/8	8	6	21	14-1/4	32
GC-620	17	11-7/8	11-7/8	10-1/2	4-3/4	21	14-1/4	35
GC-720	17	11-7/8	11-7/8	10-1/2	4-3/4	21	14-1/4	36
GC-820	27	14-11/16	14-11/16	20	6	31-3/8	17-1/8	74

# Loren Cook GN Series Inline Fans

- Direct driven
- Centrifugal exhaust
- Galvanized stamped steel integral motor mount/inlet
- Aluminum back draft damper

Model GC	Housing			Outlet		Inlet Collar		Shipping Weight
	L	W	H	A	B	J	K	
GN-120	15-1/2	12-3/4	8-3/8	5-15/16 Ø		14	3-1/4	15
GN-140	15-1/2	12-3/4	8-3/8	5-15/16 Ø		14	3-1/4	15
GN-160	15-1/2	12-3/4	8-3/8	5-15/16 Ø		14	3/4	16
GN-180	15-1/2	12-3/4	8-3/8	5-15/16 Ø		14	3-1/4	16
GN-220	12-3/8	9-3/4	9-3/4	8	6	12-5/16	9-11/16	22
GN-320	12-3/8	10-3/4	10-3/4	8	6	12-5/16	10-11/16	25
GN-420	17	11-7/8	11-7/8	8	6	16-15/16	11-15/16	30
GN-520	17	11-7/8	11-7/8	8	6	16-15/16	11-15/16	32
GN-620	17	11-7/8	11-7/8	10-1/2	4-3/4	16-15/16	11-15/16	35
GN-720	17	11-7/8	11-7/8	10-1/2	4-3/4	16-15/16	11-15/16	36
GN-820	27	14-11/16	14-11/16	20	6	27	14-1/2	74
GN-920	31	14-11/16	14-11/16	24-1/4	6	31	14-1/2	86

All dimensions are in inches.

New York  
212 643 8001

[www.MThvac.com](http://www.MThvac.com)  
sales@MThvac.com

New Jersey  
973 616 3800

Fans and Blowers

# Loren Cook Gemini Accessories

## FSC Speed Control

Cook's FSC is a variable speed controller which can offer excellent energy conservation and lower sound levels when 100 percent of a direct drive fan operating capacity is not required. The FSC employs solid state circuitry for long-life and dependability. The FSC is available only on 115V and 230V shaded pole or permanent split capacitor direct drive motors and is not available on 1140 RPM and 1725 RPM motors. The FSC is normally shipped loose for field installation. Optional pre-wiring is available.



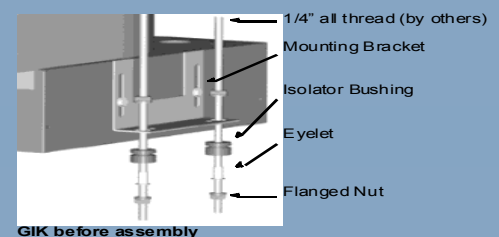
## Time Delay Switch

The time delay switch operates both the fan and room light. Moving the switch to the "on" position turns the light on immediately and the exhaust fan on 15 seconds later. Both light and fan stay on until the witch is moved to the "off" position. When the switch is moved to the "off" position, power to the light is immediately ceased and the fan will power down 1 to 10 minutes dependent upon the adjustable delay.

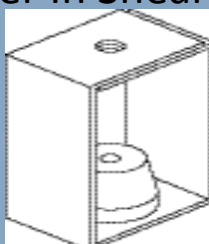


## Gemini Hanging Isolator Kit

The wall or ceiling mount passive infrared motion sensor will automatically turn on the fan when the room is occupied. Each of the sensors feature an adjustable time delay of 20 seconds to 30 minutes allowing the fan to continue to run after the room is no longer occupied up to the chosen setting. With this accessory, energy and air demands of the building will be reduced. The sensor must be installed in a 2x4 handy box and should be mounted within the line-of sight of the occupant. Maximum sensor coverage is 1200 square feet. Shipped loose for field installation.

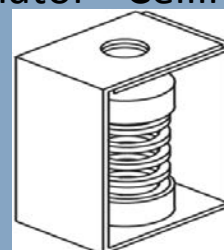


## Rubber In Shear Isolators



RC-75 - Rated for 75 lbs

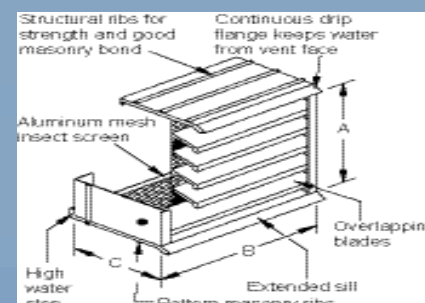
## Spring Isolator - Ceiling Mounted



SC-70 - Rated for 70 lbs

## Brick Vent

Gemini Seriesk	Model #	A	B	C
122-184	BV-1	4-3/4	16-1/2	4
220-420	BV-2	4-3/4	16-1/2	4
520-720	BV-5	7-3/4	16-1/2	4
822-962	BV-8	24	24	2

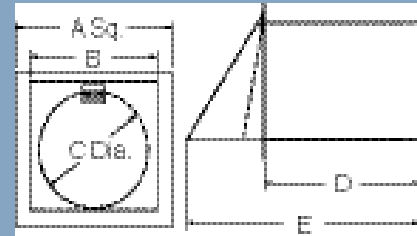


# Loren Cook Gemini Accessories

## Wall Cap

Gemini #	Model #	A sq.	B	C Dia	D	E
122-340	WCR-6	8	7	6	8-1/2	12-3/4
220-520	WCR-8	10	9	8	8-1/2	14-3/4

All dimensions in inches. Construction is aluminum w/ integral backdraft damper



## Roof Jack

Model #	A	B	C	D	E	Throat
RJR100	14-1/4	18-3/4	10-3/8	14-1/2	6-1/2	6 Dia.
RJ200	14-1/4	18-3/4	10-3/8	14-1/2	6-1/2	10-3/4 sq

RJR100 - For Gemini Series 122-184

RJ200 - For Gemini Series 220-520

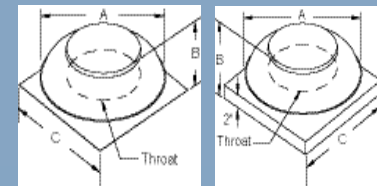


## Roof Cap

Gemini #	Model #	Type	A	B	C	Throat
122-520	PR8	Curb mtd.	18-1/4	10-1/8	18	8-19/32
	PR8F	Flat	18-1/4	8-1/8	18	8-19/32
620-740	PR12	Curb mtd.	28-1/4	10-5/16	20	12-1/2
	PR12F	Flat	28-1/4	8-5/16	20	12-1/2
822-960	PR16	Curb mtd.	28-1/4	12-5/8	28	16-1/2
	PR16F	Flat	28-1/4	10-5/8	28	16-1/2

All dimensions in inches. Construction is aluminum w/ integral backdraft damper

All stocked with Bird Screen and Backdraft damper available (exhaust only)



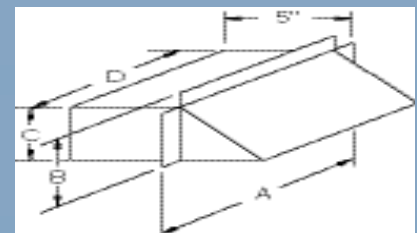
Roof Cap - Flat Base

Roof Cap - Curb Mount

## Wall Cap

Gemini #	Alum	A	B	C	D
220-520	WCA-2	10-5/16	7-3/16	6-3/8	8-5/16
620-740	WCA-6	12-13/16	6	6	10-13/16
822-860	WCA-8	22-5/16	7-3/16	6-3/16	20-5/16
920-960	WCA-9	26-9/16	7-15/16	6-16/16	24-9/16

All dimensions in inches. Construction is aluminum w/ 1/2" birdscreen





## Price 520D-S Supply Register

- Steel Construction
- Double deflection – ¾” spacing
- Opposed Blade damper included
- Blades individually adjustable
- Blades parallel to short dimension
- White powder coat finish.



	6"	8"	10"	12"	14"	16"
6"		•	•	•	•	
8"			•	•	•	•
10"			•	•	•	•
12"						
14"						
16"						

## Price 530 Series Return Register/Grille

- Steel Construction
- Fixed Blade Louver Face
- Blades parallel to long dimension.
- 530 - 35 degree deflection- ¾” spacing
- 535 - 35 degree deflection- ½” spacing
- White powder coat finish.



### 530D-L

Width	Length
6"	6"
8"	8"
10"	10"
12"	12"
14"	14"
16"	16"

### 530-L

Width	Length
12"	12"
22"	10"
22"	22"

### 535-L

Width	Length
12"	12"
22"	10"
22"	22"

# SDV-5

## DDC VAV Terminal Unit

- Zinc Coated, steel housing
- Sheet metal enclosure included
- Protective Shroud.
- ½” Fiberglass Lining
- Transformers available, sold separately.

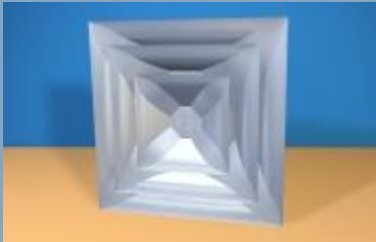


Unit Size	Inlet	Outlet 1	Outlet 2	Length
6	6"	12"	8"	20 1/8"
8	8"	12"	10"	20 1/8"
10	10"	14"	12 1/2"	20 1/8"
12	12"	14"	15"	20 1/8"
14	14"	20"	17 1/2"	23 5/3"
16	16"	24"	18"	23 5/3"

# SCD

## Lay-in Square Cone Ceiling Diffuser

- Steel Construction
- 360 degree fixed air pattern
- White powder coat finish.

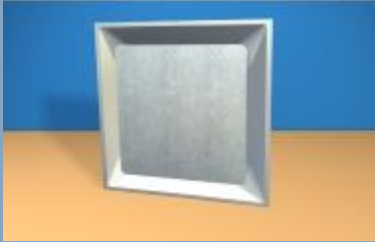


Duct Size	Module	Module
	12 x 12	24 x 24
6"		
8"		
10"		
12"		
14"		
15"		

# SPD

## Square Plaque Ceiling Diffusers

- Steel Construction
- 360 degree horizontal air pattern
- White powder coat finish.



SPD 31 – T-bar lay-in for standard ceiling grid

	Module Size	Module Size
Neck Size	12 x 12	24 x 24
6	•	•
8	•	•
10		•
12		•
14		•
15		•

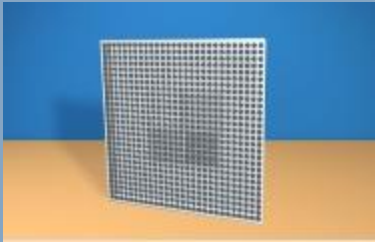
SPD 17 – NT border, lay-in

	Module Size
Neck Size	24 x 24
6	•
8	•
10	•
12	•
14	•
15	•

# PDF

## Perforated Ceiling Diffusers

- Steel Construction
- Adjustable pattern controllers
- Flush Face



Neck Size	Module Size
	5 x 25
6	•
8	•
10	•
12	•
14	•



## PDDR

### Perforated Ceiling Return Diffusers

- Steel Construction
- Available square neck sizes
  - 22x22
  - 22x10

Round neck sizes (pictured):

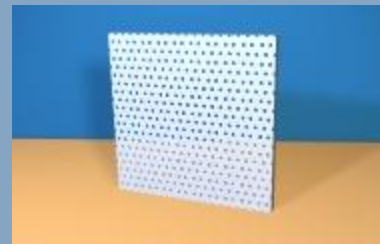


Neck Size	Module Size
	5 x 25
6	•
8	•
10	•
12	•
14	•

## PFRF

### Perforated Non-Ducted Return

- Steel Construction
- No backpan
- Flush Face
- Available Sizes
  - 24x24
  - 24x12.



## VCR-8E

### Butterfly Control Damper

- Mounts in Round neck Ceiling Diffusers
- Easily Adjusted with slotted operator

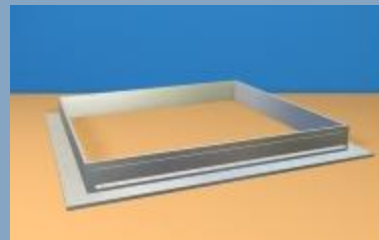


	Module Size
Neck Size	24 x 24
6	•
8	•
10	•
12	•
14	•
15	•

## SPF

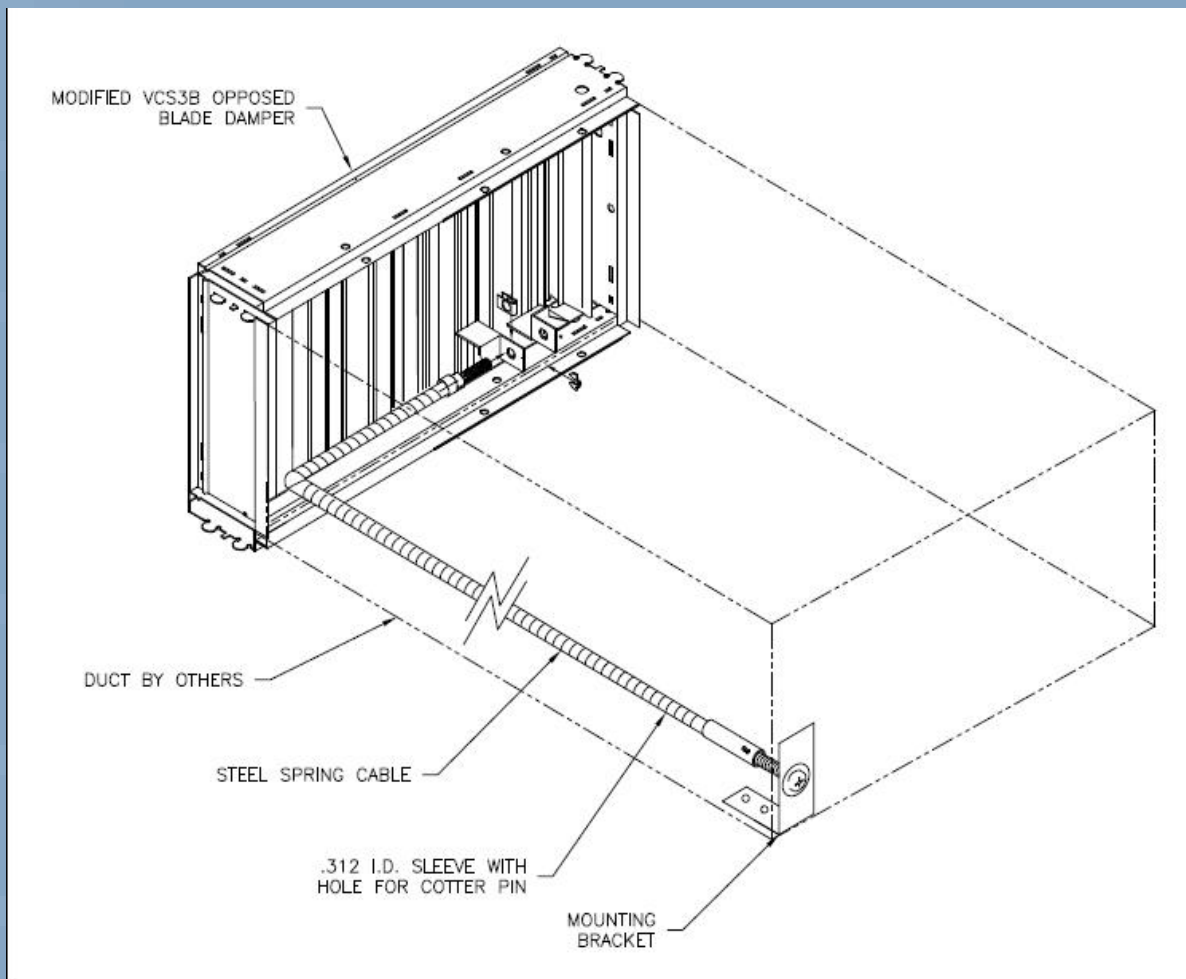
### Plaster Frames

- Steel Construction
- 1, 2, 3, or 4-way horizontal pattern
- Round Neck
- Flush Face
- Available sizes
  - 24x24
  - 24x12
  - 12x12.



# VCS-3 Cable Operated Damper

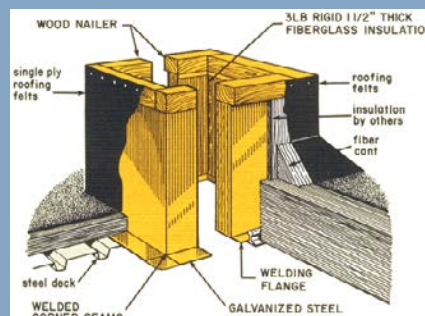
- 3' Cable
- For use in inaccessible ceilings
- Available Sizes
  - 8 X 6
  - 10 X 6
  - 12 X 6





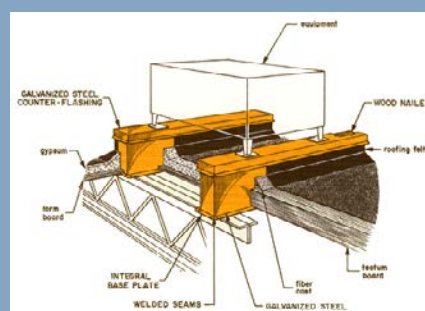
## RPS RC-2A Curb Uncanted Surface Mount

- Wood nailers
- Galvanized steel construction
- Welded corners
- Rigid fiberglass board insulation
- 13 ½ height including nailer
- Available Sizes :
  - 16½ X 16½ inches OD
  - 18½ X 18½ inches OD
  - 22½ X 22½ inches OD
  - 28½ X 28½ inches OD



## RPS ER-2A Straight Sided Rails

- 18 GA, Galvanized Steel
- Wood Nailer
- Continuous Welded Seams
- 12” Height
- Available Lengths – 3’ , 4’ , 5’ , 6’ , and 8’



## RPS Pipe Portal System

- Standard RPS Roof Curb
- 18 Gauge Galvanized Steel
- 1-1/2” 3LB. Density Fiberglass Insulation
- Molded ABS Plastic Cover



# Refrigerant Leak Detection

## Chillgard parts

Part Description	Part Number
Low Flow Switch	637824
Inline Filter	10037357
EHOO Pline Filter	711561
Zero Gas Scrubber	803873
Span Gas Scrubber	803874



## Repair and Calibration Parts

Part Description	Part Number
Ultima / Toxgard Calibrator	809997
Ultima / Toxgard Controller	809086
Cal Kit 40 Ultima Tox Gard II CO, O2	
Cal Kit 50 All Chill Gard	
Cal Kit 49 All Z Gard Sensors	
Calibration Box	10035292
Cal Gas, Co 50 PPM	10028050
Cal Gas, R22, 10PPM	806906
Cal Gas, R134A, 10PPM	806907
Cal Gas, R123, 10PPM	806904
Cal Gas Zero Air	10028042
.25 LPM Regulator	467895
1.5 LPM Regulator	467896



## Carbon Monoxide and Hydrogen Detection

Part Description	Part Number
Replacement Sensor Z Gard CO	10063828
Replacement Sensor Ultima X, Combustible	A-UL-LX-SIENS-31-0-0



# Model 8630-PM Hospital Isolation Room Pressure Monitor



## Description

The Model 8630-PM PRESSURA Room Pressure Monitor is an excellent hospital isolation room pressure monitor. A stand-alone monitor, the Model 8630-PM measures the actual room pressure differential using TSI's unique, bi-directional pressure sensor. If the pressure differential is too great, too small, or the wrong direction, the Model 8630-PM will activate audible and visual alarms. The Model 8630-PM features adjustable alarm delays to avoid nuisance alarms. When the room is unoccupied, the Model 8630-PM can be changed to no isolation mode, de-activating all alarms. The Model 8630-PM easily integrates to the building management system using a low alarm relay, an analog output of the measured pressure differential, or digital communications. The Model 8630-PM supports the open MODBUS protocol.

## Features

- Meets CDC Guidelines for Preventing the Transmission of Mycobacterium Tuberculosis in Health-Care Facilities, 1994
- Stand-alone room pressure monitor verifies system operation
- Direct pressure measurement provides continuous monitoring
- Audible and visual alarms warn staff of unsafe conditions
- Convenient keypad and display support local programming
- Passwords prevent unauthorized access to controller functions



## Available Parameters

Positive, Negative and No Isolation Modes, Key switch Input, Second Sensor Input, Low Alarm Contact, Flow Input, Remote audible alarm, Positive/negative/no isolation key switch, Supply/exhaust flow station, Low Flow Alarm, Analog Pressure Output, MODBUS & Cimetrics Communications, N2 Communications, Secondary Door Alarm Delay

## Items Included

Digital interface module, Through-the-wall pressure sensor, Sensor cable(25 ft), Transformer 120:24 VAC, 25 VA, Transformer cable(25 ft)

Digital Interface Module Specifications	
Display Range	-0.20000 to +0.20000 in. H2O
Low Alarm Range	-0.19500 to +0.19500 in. H2O
High Alarm Range	-0.19500 to +0.19500 in. H2O
Low Alarm Contact	max voltage 150VDC, 250VAC Min switch load 10 mA, 5VDC
User Configurable Analog Output	Signal: 0 to 10V or 4 to 20 mA Range: -0.100 to +0.100 in. H2O or -0.0100 to +0.0100 in. H2O
Operating Temperature	32 to 120°F
Input Power	24VAC, 5 W max

Sensor Specifications	
Range	-0.20000 to +0.20000 in. H2O
Accuracy	±10% of reading, ±0.00001 in. H2O
Resolution	5% of reading
Temp. Compensation	55 to 95°F
Power Dissipation	0.16 W at 0 in. H2O
	0.20 W at 0.00100 in. H2O

New York  
212 643 8001

[www.MThvac.com](http://www.MThvac.com)  
sales@MThvac.com

New Jersey  
973 616 3800 20

TSI PRESSURA™ Model 8630-PM



## TSI SUREFLOW™ Model 8650 Fume Hood Face Velocity Controller

### Description

The Model 8650 SUREFLOW Face Velocity Controller is designed to control your fume hoods to a constant face velocity. By providing a constant face velocity, the SUREFLOW will enhance the safety and reduce the energy costs of operating a fume hood. The Model 8650 easily integrates to the building management system using either alarm relays or digital communications.

### Features

- Stand-alone face velocity control provides system reliability
- Direct face velocity measurement provides continuous, closed-loop control
- Audible and visual alarms warn staff of unsafe conditions
- Network communications allow for building-wide control efficiencies
- Convenient keypad and display support local programming
- Passwords prevent unauthorized access to controller functions

### Available Parameters

25 VA Low Alarm Contact ,High Alarm Contact ,  
Electric or pneumatic damper/actuator assembly available,  
No-Flow Alarm Contact ,Setback Input, Emergency Input,  
Remote audible alarm, Analog face velocity Output,  
MODBUS, N2 or Cimetrics Communications, Shutdown Mode,  
Damper Min & Max, High Sash alarm, Alarm Ringback,  
Setpoint Display

### Included

Controller, Side wall pressure sensor, Sensor cable (6 ft)Controller output cable(25 ft) 120:24 VAC Transformer,Transformer cable( 25 ft )

### Optional SUREFLOW™ Model 8691-2 Dual Venting Kit

The Model 8691-2 Fume Hood Sensor Dual Venting Kit, an accessory to the Model 8650 SUREFLOW Face Velocity Controller provides a pathway for room air to pass the face velocity sensor. The Model 8691-2 is required on fume hoods which do not have a suitable reference, such as hoods where the chase extends to the plenum or hoods located near a diffuser. Items Included: T-fitting, 1 Mounting plates, 2 Mounting flanges, 2 1-1/4 in. tubing, 20 feet Sensor assembly, 1 Hose clamps, 4



TSI SUREFLOW™ Model 8650



## VELOCICALC Air Velocity Meter Model 9515

- Accurate air velocity measurement
- Model 9515 range 0 to 4,000 ft/min (0 to 20 m/s)
- Temperature measurer
- Integrated probe attachment
- Easy to read display Calibration certificate included



## VELOCICALC Air Velocity Meter Model 9545

- Simple to operate
- Accurate air velocity measurement
- Simultaneously measure temperature and velocity
- Displays up to three measurements simultaneously
- Measures humidity  
Calculates volumetric flow, and actual/standard velocity  
Data log 12,700+ samples and 100 test IDs
- LogDat2™ downloading software included







## ACCUBALANCE Air Capture Hood – Model 8375

- Ergonomic design and ultra light weight for easy one person operation
- Detachable digital manometer for use in other applications with Pitot, air flow, temperature, velocity matrix, or relative humidity probes
- Back pressure compensated

### *Includes:*

- Hood fabric, frame, poles, base and meter
- Carrying case
- Downloading software and cable
- Calibration certificate
- Operation and service manual





New York  
212 643 8001

[www.MThvac.com](http://www.MThvac.com)  
sales@MThvac.com

New Jersey  
973 616 3800 24



New York  
212 643 8001

[www.MThvac.com](http://www.MThvac.com)  
[sales@MThvac.com](mailto:sales@MThvac.com)

New Jersey  
973 616 3800